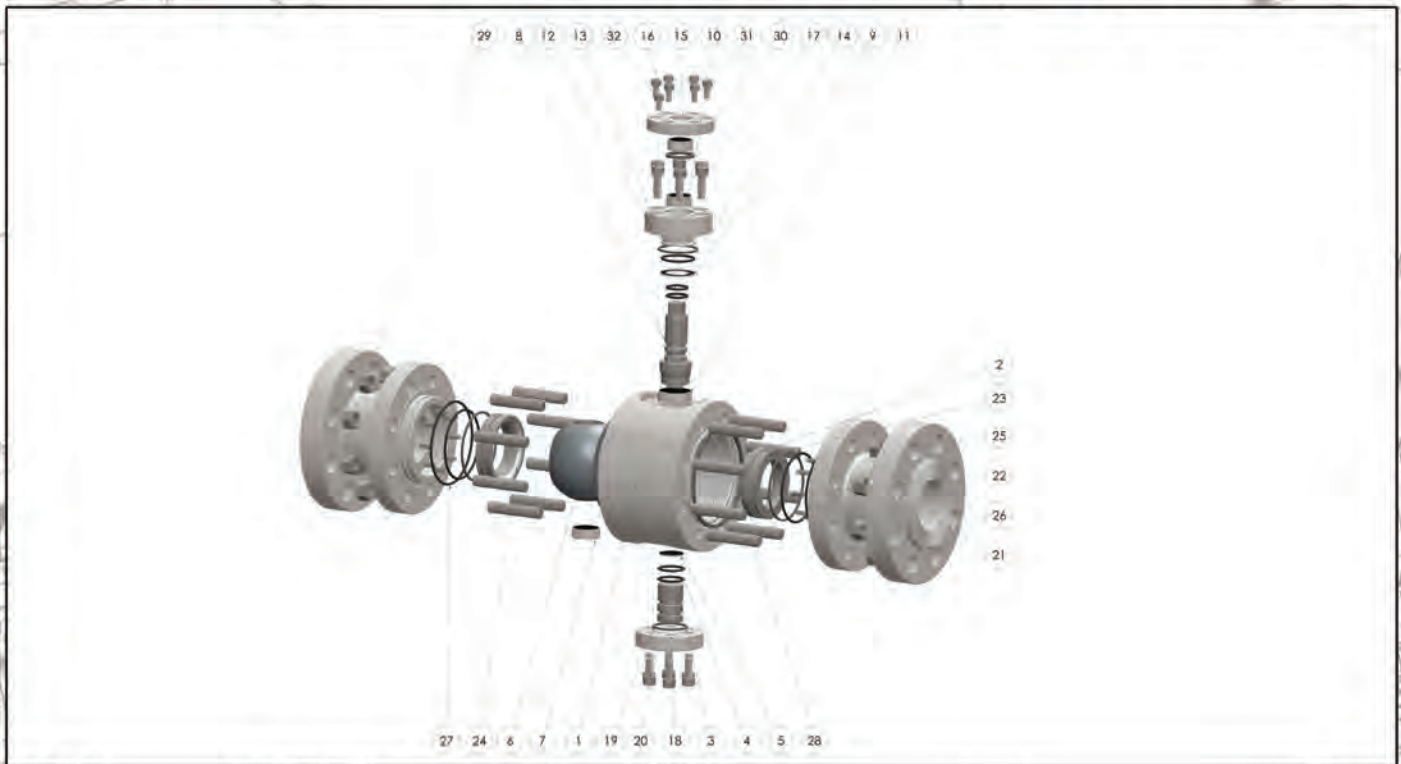
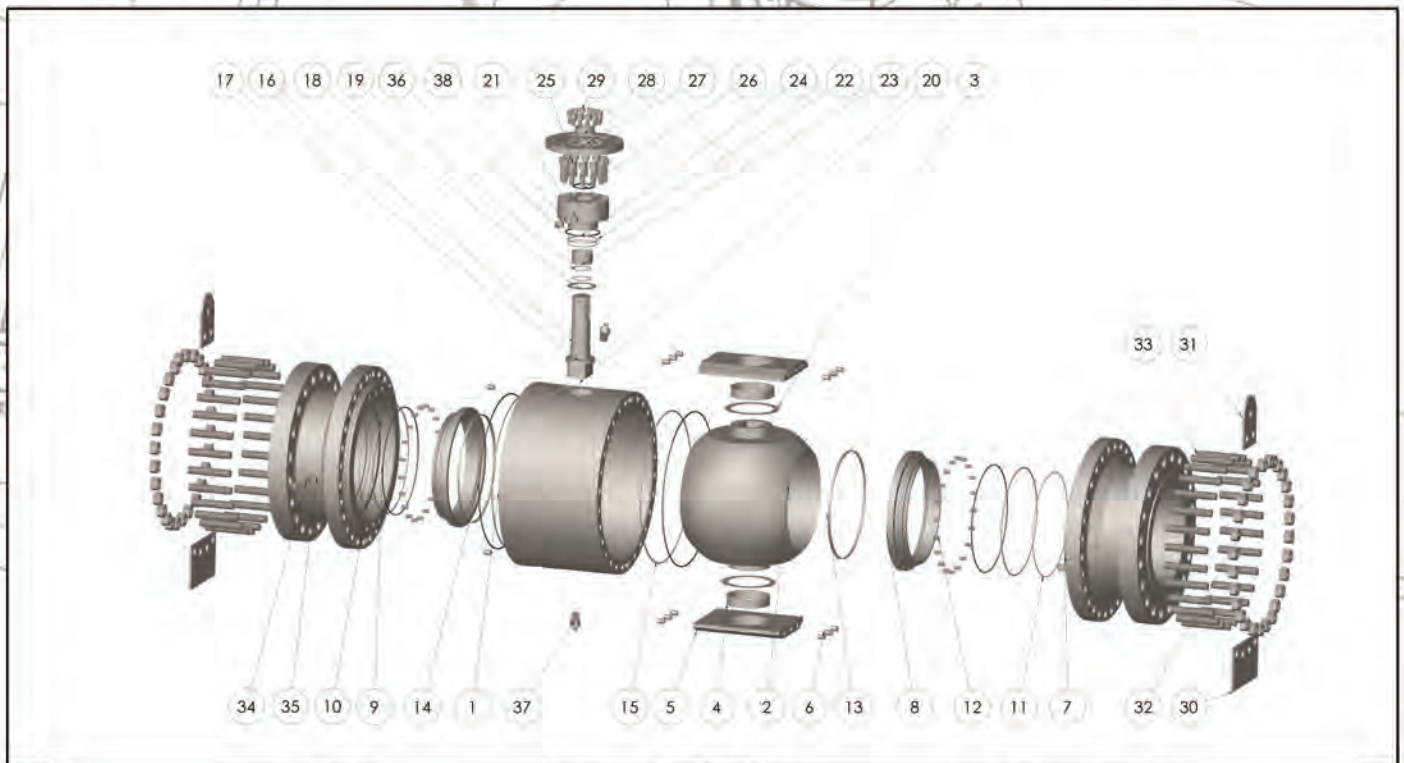


TRUNNION SPLIT BODY BALL VALVE UP TO 4"



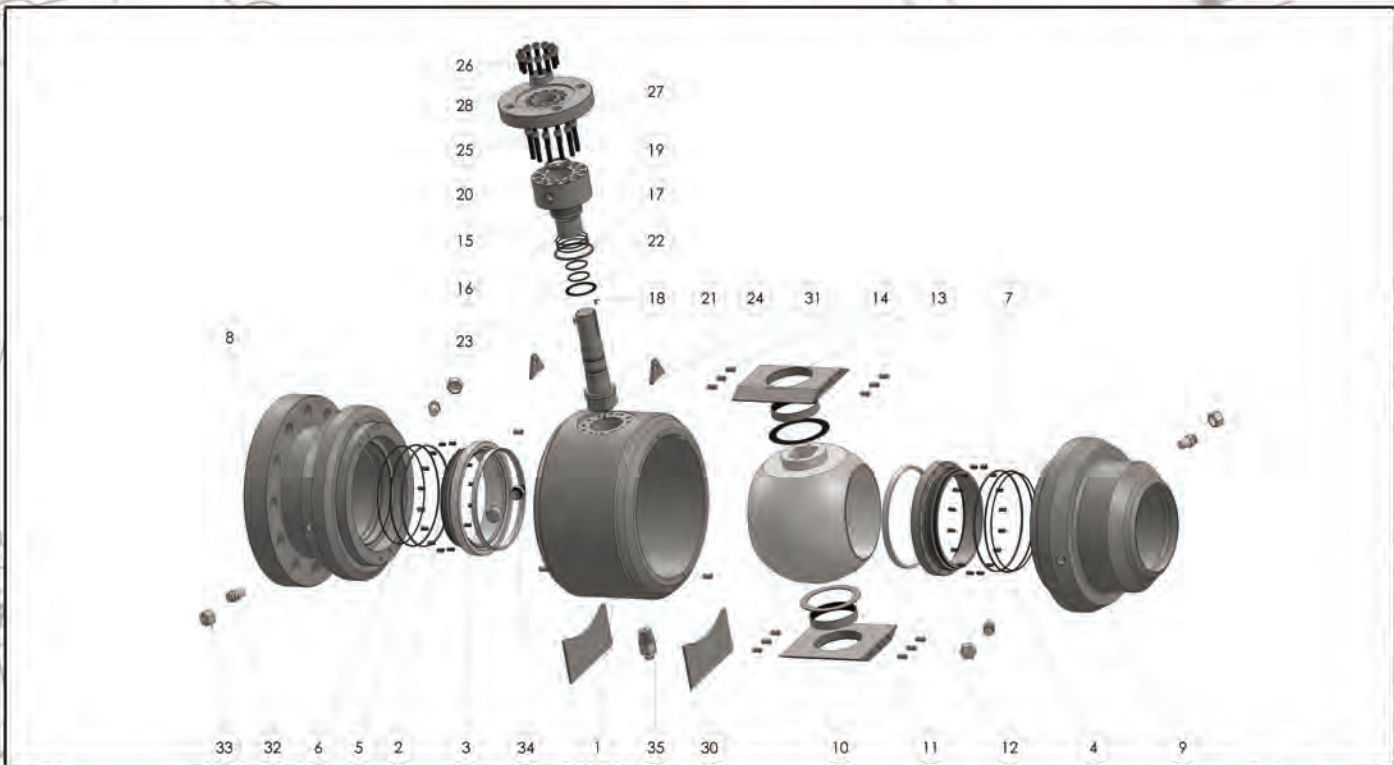
ITEM NO.	PART NUMBER	STANDARD MATERIALS
1	FEMALE BODY	A105 / A350 LF2
2	BODY GRAPHITE RING	PURE EXPANDED ELASTICALLY COMPRESSED GRAPHITE
3	LOWER TRUNNION	A182 F6a / AISI 410
4	O-RING	NBR Sh.A 80 / VITON Sh.A 80
5	ANTY-THRUST DISK	A182 F316 + PTFE COATING
6	OBTURATOR	A105+ENP 50µm / A350 LF2+ENP 50µm/ A182 F316
7	BEARING RING	A182 F316 + PTFE COATING
8	STEM	A182 F6a / AISI 410
9	ANTY-THRUST RING	A182 F316 + PTFE COATING
10	O-RING	VITON Sh.A 80
11	BEARING RING	A182 F316 + PTFE COATING
12	UPPER TRUNNION	A105 / A350 LF2
13	UPPER TRUNNION GRAPHITE RING	PURE EXPANDED ELASTICALLY COMPRESSED GRAPHITE
14	O-RING	NBR Sh.A 80 / VITON Sh.A 80
15	BEARING RING	A182 F316 + PTFE COATING
16	STEM GRAPHITE RING	PURE EXPANDED ELASTICALLY COMPRESSED GRAPHITE
17	HEXAGON SOCKET HEAD CAP SCREW	A193 Grade B7
18	LOWER FLANGE	A105 / A350 LF2
19	GRAPHITE RING	PURE EXPANDED ELASTICALLY COMPRESSED GRAPHITE
20	HEXAGON SOCKET HEAD CAP SCREW	A193 Grade B7
21	MALE BODY	A105 / A350 LF2
22	SEAT SPRING	AISI 302
23	SEAT RING	A105+ENP 50µm / A350 LF2+ENP 50µm/ A182 F316
24	SEAT SEAL	REINFORCED PTFE / NYLON / VITON Sh.A 92
25	SEAT GRAPHITE RING	PURE EXPANDED ELASTICALLY COMPRESSED GRAPHITE
26	O-RING	VITON Sh.A 80
27	O-RING	NBR Sh.A 80 / VITON Sh.A 80
28	STUD BOLT	A193 Grade B7
29	HEXAGON NUT	A194 Grade 2H
30	LEVER FLANGE	A105 / A350 LF2
31	HEXAGON SOCKET HEAD CAP SCREW	A193 Grade B7
32	HEXAGON SOCKET HEAD CAP SCREW	A193 Grade B7

TRUNNION MOUNTED SPLIT BODY BALL VALVE 4"-42"



ITEM NO.	PART NUMBER	STANDARD MATERIALS
1	FEMALE BODY	A105 / A350 LF2
2	OBTURATOR	A105+ENP 50µm / A350 LF2+ENP 50µm/ A182 F316
3	ANTY-THRUST RING	A182 F316 + PTFE COATING
4	BEARING RING	A182 F316 + PTFE COATING
5	TRUNNION PLATE	A516 Grade 70 + ENP 50µm
6	ALIGNMENT PIN	A105 / A350 LF2
7	MALE BODY	A105 / A350 LF2
8	SEAT RING	A105+ENP 50µm / A350 LF2+ENP 50µm/ A182 F316
9	SEAT GRAPHITE RING	PURE EXPANDED ELASTICALLY COMPRESSED GRAPHITE
10	O-RING	VITON Sh.A 80
11	O-RING	VITON Sh.A 80
12	SEAT SPRING	AISI 302
13	SEAT SEAL ELEMENT	REINFORCED PTFE / NYLON / VITON Sh.A 92
14	GRAPHITE RING	PURE EXPANDED ELASTICALLY COMPRESSED GRAPHITE
15	O-RING	NBR Sh.A 80 / VITON Sh.A 80
16	ALIGNMENT PIN	A105 / A350 LF2
17	STEM	A182 F6a / AISI 410
18	ANTY-THRUST RING	A182 F316 + PTFE COATING
19	O-RING	VITON Sh.A 80
20	ANTY-STATIC SPRING	AISI 302
21	UPPER TRUNNION	A105 / A350 LF2
22	O-RING	NBR Sh.A 80 / VITON Sh.A 80
23	BEARING RING	A182 F316 + PTFE COATING
24	GRAPHITE RING	PURE EXPANDED ELASTICALLY COMPRESSED GRAPHITE
25	HEXAGON SOCKET HEAD CAP SCREW	A193 Grade B7
26	GRAPHITE RING	PURE EXPANDED ELASTICALLY COMPRESSED GRAPHITE
27	ISO FANGE	A105 / A350 LF2
28	BEARING RING	A182 F316 + PTFE COATING
29	HEXAGON SOCKET HEAD CAP SCREW	A193 Grade B7
30	SUPPORT LEG	A516 Grade 70
31	LIFTING DEVICE	A516 Grade 70
32	HEXAGON NUT	A194 Grade 2H
33	STUD BOLT	A193 Grade B7
34	HALF INCH NON-RETURN LUBRICATING PLUG	A105 Galvanized / A350 LF2 Galvanized / A182 F316
35	QUARTER INCH NON-RETURN CHECK VALVE	A182 F316
36	LUBRICATING PLUG CAP	A105 Galvanized / A350 LF2 Galvanized / A182 F316
37	DRAIN PLUG	A105 Galvanized / A350 LF2 Galvanized / A182 F316
38	QUARTER INCH NON-RETURN LUBRICATING PLUG	A105 Galvanized / A350 LF2 Galvanized / A182 F316

TRUNNION FULLY WELDED BALL VALVE 2"-42"



ITEM NO.	PART NUMBER	STANDARD MATERIALS
1	FEMALE BODY	A105 / A350 LF2
2	SEAT RING	A105+ENP 50µm / A350 LF2+ENP 50µm/ A182 F316
3	SEAT SEAL ELEMENT	REINFORCED PTFE / NYLON / VITON Sh.A 92
4	SEAT GRAPHITE RING	PURE EXPANDED ELASTICALLY COMPRESSED GRAPHITE
5	SEAT BACK SEAL O-RING	VITON Sh.A 80
6	SEAT SEALANT O-RING	VITON Sh.A 80
7	SEAT SPRING	AISI 302
8	MALE BODY RF	A105 / A350 LF2
9	MALE BODY BW	A105 / A350 LF2
10	OBTURATOR	A105+ENP 50µm / A350 LF2+ENP 50µm/ A182 F316
11	ANTY-THRUST RING	A182 F316 + PTFE COATING
12	BEARING RING	A182 F316 + PTFE COATING
13	TRUNNION PLATE	A516 Grade 70 + ENP 50µm
14	ALIGNMENT PIN	A105 / A350 LF2
15	UPPER TRUNNION	A105 / A350 LF2
16	O-RING	NBR Sh.A 80 / VITON Sh.A 80
17	GRAPHITE RING	PURE EXPANDED ELASTICALLY COMPRESSED GRAPHITE
18	ALIGNMENT PIN	A105 / A350 LF2
19	BEARING RING	A182 F316 + PTFE COATING
20	GRAPHITE RING	PURE EXPANDED ELASTICALLY COMPRESSED GRAPHITE
21	STEM	A182 F6a / AISI 410
22	ANTY-THRUST RING	A182 F316 + PTFE COATING
23	O-RING	VITON Sh.A 80
24	ANTY-STATIC SPRING	AISI 302
25	HEXAGON SOCKET HEAD CAP SCREW	A193 Grade B7
26	HEXAGON SOCKET HEAD CAP SCREW	A193 Grade B7
27	ISO FLANGE	A105 / A350 LF2
28	BEARING RING	A182 F316 + PTFE COATING
30	SUPPORT LEG	A516 Grade 70
31	LIFTING DEVICE	A516 Grade 70
32	HALF INCH NON-RETURN LUBRICATING PLUG	A105 Galvanized / A350 LF2 Galvanized / A182 F316
33	LUBRICATING PLUG CAP	A105 Galvanized / A350 LF2 Galvanized / A182 F316
34	QUARTER INCH NON-RETURN LUBRICATING PLUG	A105 Galvanized / A350 LF2 Galvanized / A182 F316
35	DRAIN PLUG	A105 Galvanized / A350 LF2 Galvanized / A182 F316

